

# Egismos *DATASHEET*

## 532nm DPSS Green Laser Diode Modules Key features

Visible light  $\lambda=532\text{nm}$   
Output power  $<1\text{mW}$ ,  $<5\text{mW}$   
Dimension 11mm x 42mm  
High stability

## Applications

Green laser light source  
Brighter visibility  
Industrial alignment  
Patient position

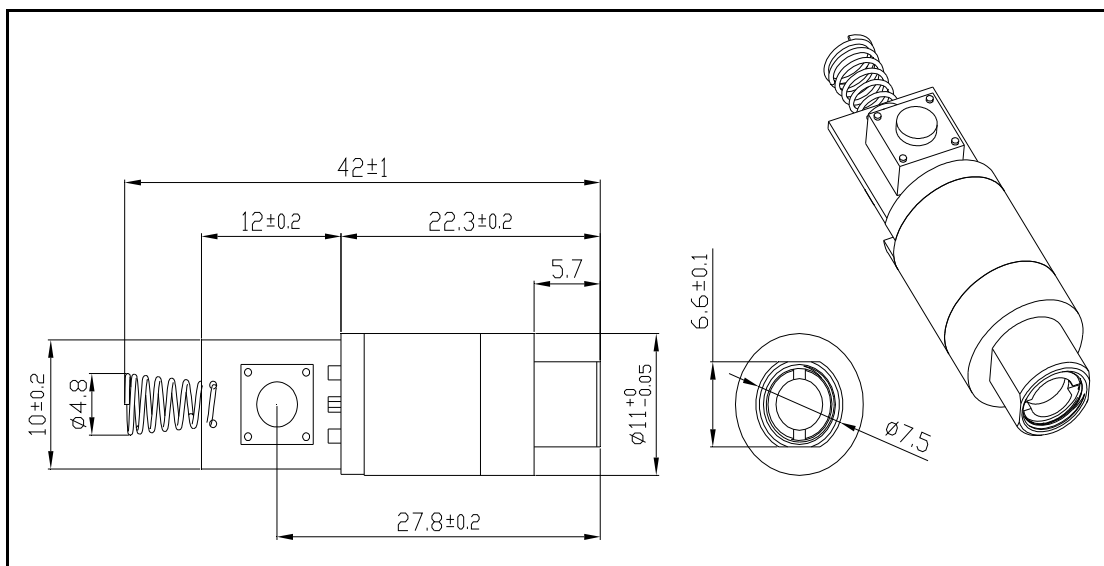
## Laser Diode Solutions

The 532nm DPSS Green Laser Diode Modules produce a collimated output beam with output powers of  $<1\text{mW}$  or  $<5\text{mW}$ . Operating voltage is from 2.8V to 6V DC at an operating current of 150~300mA, 180mA typ. ( $<1\text{mW}$ ) or 240mA typ. ( $<5\text{mW}$ ). Beam divergence is  $<2.0\text{mrad}$  and operating temperature range is  $20^\circ\text{C}$  to  $+40^\circ\text{C}$ . The modules consist of a brass housing, laser diode, crystal, drive circuit and collimating/focusing lens.

Electrical connections are made via external flying leads. The lens may be adjusted to produce either a collimated beam or focused spot.



SA3532  
Laser Module



**Egismos**

<http://www.egismos.com>

TEL:+1-888-3481454

FAX:+1-604-4339864

E-Mail:sales@eGismos.com

# EGISMOS *DATASHEET*

## Specifications (typical @ $t_c=25^{\circ}\text{C}$ )

Item.	symbol	SA35321 R SA35325 R	SB35321 R SB35325 R
Mode		CW	CW
Wavelength	$\lambda$	532nm	532nm
Laser Pattern		Dot	Dot
Dimeter x Length	$\Phi \times L$	11 x 42 mm	12 x 63 mm
Output Power	$P_o$	<1mW, <5mW	<1mW, <5mW
Power Stability		< 30%	<30%
Collimated Beam Size		<20mm at 5m	<20mm at 5m
Collimated Beam Divergence		<2.0 mrad	<2.0 mrad
Operating Voltage(DC)	$V_o$	2.8-6.0V	2.8-6.0V
CW Operating Current	$I_o$	150~300mA typ., 350mA max.	150~300mA typ., 350mA max.
Operating Temperature	$T_o$	+20 $^{\circ}\text{C}$ to +40 $^{\circ}\text{C}$	+20 $^{\circ}\text{C}$ to +40 $^{\circ}\text{C}$
Storage Temperature		-40 $^{\circ}\text{C}$ to +85 $^{\circ}\text{C}$	-40 $^{\circ}\text{C}$ to +85 $^{\circ}\text{C}$
Bore Sight		--	--
Housing Material		Brass	Brass
Mean time to failure(MTTF)		>2,000 hrs	>2,000 hrs



## Laser Safety

The light emitted from these devices has been set in accordance with IEC60825. However, staring into the beam, whether directly or indirectly, must be avoided. IEC60825 classifies laser products into three different categories depending on light emitted, wavelength and eye safety.

### CLASS II

"Caution", visible laser light less than 1.0mW. Considered eye safe, normal exposure to this type of beam will not cause permanent damage to the retina.

### CLASS III R

"Danger", visible laser light between 1.0mW and 5.0mW. Considered eye safe with caution. Focusing of this light into the eye could cause some damage.

### CLASS III B

"Danger", infrared (IR), and high power visible lasers considered dangerous to the retina if exposed. NB: It is important to note that while complying with the above classifications, unless otherwise stated, our laser diode products are not certified and are designed solely for use in OEM products. The way in which the device is used in the final product may alter its original design classification, and it is the responsibility of the OEM to ensure compliance with the relevant standards.

**EGISMOS**

<http://www.egismos.com>

TEL: +1-888-3481454

FAX: +1-604-4339864

E-Mail: [sales@egismos.com](mailto:sales@egismos.com)