

EGISMOS *DATASHEET*

Dia.12mm 532nm DPSS Green Line Laser Modules Key features

Visible light $\lambda=532\text{nm}$
Output power $<5\text{mW}$, $<10\text{mW}$
Dimension 20mm x 60mm
Stable Output Power

Applications

Green laser light source
Brighter visibility
Industrial alignment
Custom made requirement

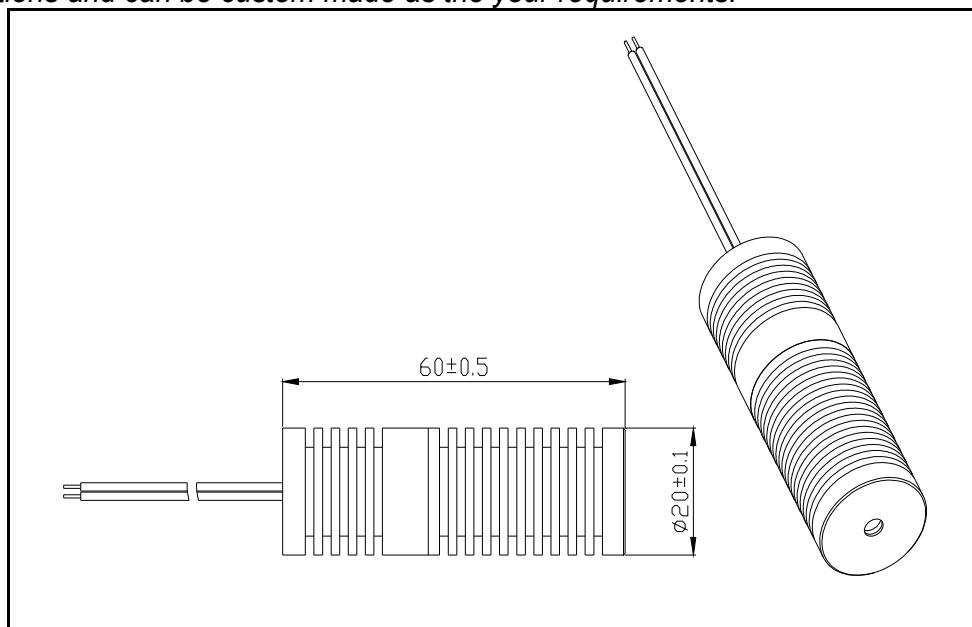
Laser Diode Solutions

The 532nm DPSS Green Line Laser Modules produce a collimated laser line beam with output powers of $<5\text{mW}$ or $<10\text{mW}$. As the Class 2M certification, the spread laser power would be $<1\text{mW}$ in 7mm aperture at 10cm distance. Operating voltage is from 2.8V to 5V DC at an operating current of 100~300mA, 160mA typ. ($<5\text{mW}$) or 200mA typ. ($<10\text{mW}$). The laser line width (beam divergence) could be $<1\text{mm}\sim 3\text{mm}$ and operating temperature range is 10°C to 40°C . The modules consist of a aluminum housing, laser diode, crystal, drive circuit, optic lenses (collimating/focusing lens and the laser line generator).

Electrical connections are made via external flying leads. The lens can be adjusted to produce a collimated fix focused green laser line. The compact design has made SC3532/HC3532 series DPSS green laser line modules suitable for most applications and can be custom made as the your requirements.



HC35325L
HC353210L
Laser Module



EGISMOS

<http://www.egismos.com>
TEL:+1-888-3481454
FAX:+1-604-4339864
E-Mail:sales@eGismos.com

Egismos *DATASHEET*

Specifications (typical @tc=25°C)

Item.	symbol	SC35325L (Class 2M) SC353210L (Class 2M)	HC35325L (Class 2M) HC353210L (Class 2M)
Mode		CW / TTL modulation 10K Hz (option)	CW / TTL modulation (option)
Wavelength	λ	532nm	532nm
Laser Pattern		Round	Line
Diameter x Length	$\Phi \times L$	20 x 60 mm	20 x 60 mm
Output Power	Po	<5mW, <10mW (spread <1mW@10cm)	<5mW, <10mW (spread <1mW@10cm)
Power Stability		$\leq \pm 20\%$ within operating temperature	$\leq \pm 10\%$ within operating temperature
Line Width (Custom made)		<2.5mm at 1m	<2mm at 1m, min. <1mm at 10m
Line Band (Custom made)		<3mm in 2m length (defined as 90° span angle @1m)	<2mm in 2m length (min. <1mm) (defined as 90° span angle @1m)
Operating Voltage(DC)	Vo	2.8-5.0V	2.8-5.0V
CW Operating Current	Io	120~280mA, 300mA max.	120~280mA., 300mA max
Operating Temperature	To	+15°C to +35 °C	+10°C to +40°C (max. 0°C to +50°C)
Storage Temperature		-40 °C to +85 °C	-40°C to +85 °C
Boresight(Coaxial)		--	<1 degree (min. <10mm/m)
Span Angle		30°, 45°, 60°, 90°	30°, 45°, 60°, 90° or custom made
Housing Material		Brass/Anodized Aluminum	Brass/Anodized Aluminum
Mean time to failure(MTTF)		>5,000 hrs	>5,000 hrs



Laser Safety

The light emitted from these devices has been set in accordance with IEC60825. However, staring into the beam, whether directly or indirectly, must be avoided. IEC60825 classifies laser products into three different categories depending on light emitted, wavelength and eye safety.

CLASS 2 / CLASS 2M

"Caution", visible laser light less than 1.0mW. Class 2M is for the spread laser beam, less than 1.0mW in 7mm aperture at 10cm distance. Considered eye safe, normal exposure to this type of beam will not cause permanent damage to the retina.

CLASS 3A

"Danger", visible laser light between 1.0mW and 5.0mW. Considered eye safe with caution. Focusing of this light into the eye could cause some damage.

CLASS 3B

"Danger", infrared (IR), and high power visible lasers considered dangerous to the retina if exposed. NB: It is important to note that while complying with the above classifications, unless otherwise stated, our laser diode products are not certified and are designed solely for use in OEM products. The way in which the device is used in the final product may alter its original design classification, and it is the responsibility of the OEM to ensure compliance with the relevant standards.

Egismos

<http://www.egismos.com>

TEL:+1-888-3481454

FAX:+1-604-4339864

E-Mail:sales@eGismos.com