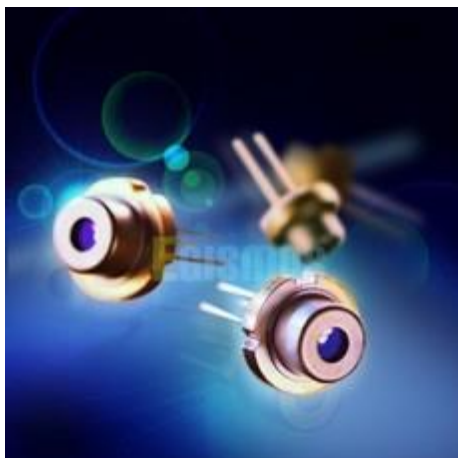


D6-7-405-120



Application

Industrial use
Biomedical

Property

Wavelength $\lambda = 405 \text{ nm}$
Output Power = 120 mW
Package Type = $\varnothing 5.6\text{mm}$

Introduction

Egismos currently markets GaN based blue laser diodes 405nm, 450nm wavelengths range. The low operating current and high temperature of the laser diodes are achieved through using misoriented substrate and MQW (Strain compensated) active layer. Egismos laser diodes are highly rated in a broad range of applications including, but not limited to, laser pointers, green lasers, blue laser DVD, laser barcode scanners, diode laser equipments, medical instruments and aerospace applications.

Red Laser Diode Key features

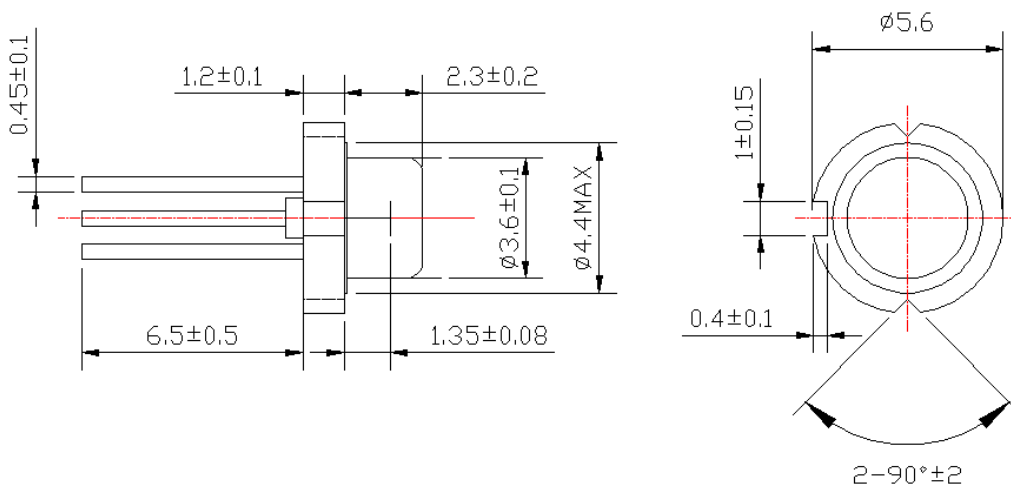
Absolute Maximum Rating at $T_c=25^\circ\text{C}$

Items	Symbols	Values	Unit
Operating Current power	P_o	120	mW
Reverse Voltage	V_R	2	V
Operating Temperature	T_{case}	-10~+75	$^\circ\text{C}$
Storage Temperature	T_s	-40~+85	$^\circ\text{C}$

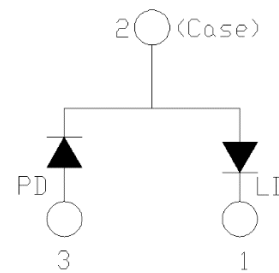
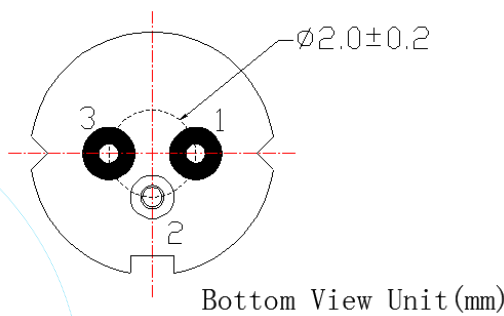
Electrical and Optical Characteristics at Tc=25°C

Item	Symbols	Min	Typ.	Max.	Unit	Condition
Threshold Current	I_{th}	-	45	70	mA	-
Operating Current	I_{op}	-	130	160	mA	Po=120mW
Operating Voltage	V_{op}	-	4.8	6.0	V	Po=120mW
Peak Wavelength	λ_p	400	405	410	nm	Po=120mW
Beam Divergence (FWHM)	θ_r	6	10	14	deg	Po=120mW
Beam Divergence (FWHM)	θ_{\pm}	19	24	29	deg	Po=120mW

Package Drawing



ELECTRICAL CONNECTION



Specifications are subject to change without notice.

