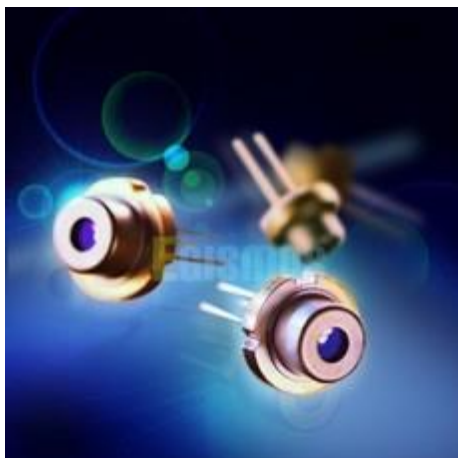


### D6-7-405-20



#### Application

Industrial use  
Biomedical

#### Property

Wavelength  $\lambda = 405 \text{ nm}$   
Output Power = 20 mW  
Package Type =  $\varnothing 5.6\text{mm}$

#### Introduction

Egismos currently markets GaN based blue laser diodes 405nm, 450nm wavelengths range. The low operating current and high temperature of the laser diodes are achieved through using misoriented substrate and MQW (Strain compensated) active layer. Egismos laser diodes are highly rated in a broad range of applications including, but not limited to, laser pointers, green lasers, blue laser DVD, laser barcode scanners, diode laser equipments, medical instruments and aerospace applications.

### Red Laser Diode Key features

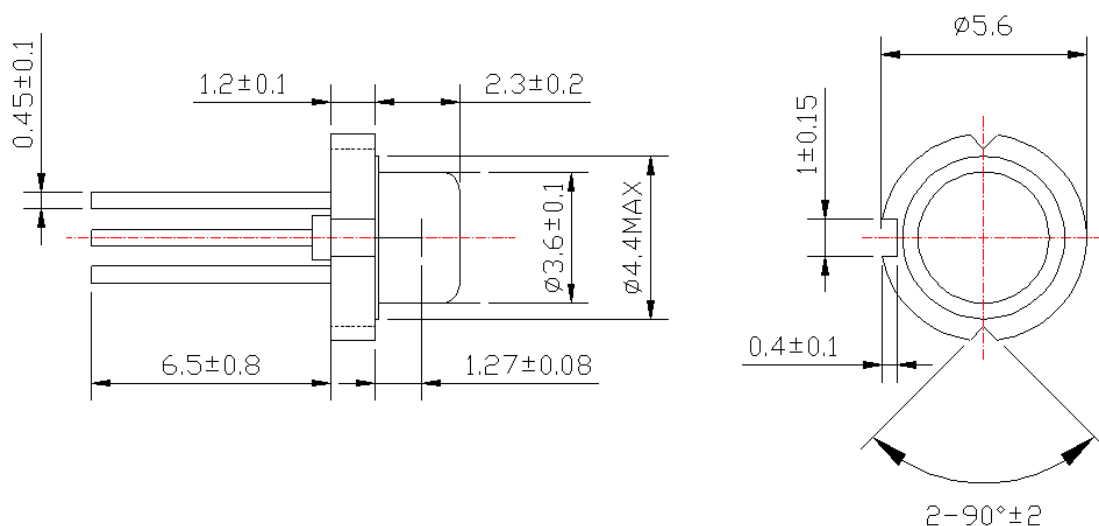
Absolute Maximum Rating at  $T_c=25^\circ\text{C}$

Items	Symbols	Values	Unit
Operating Current power	$P_o$	20	mW
Reverse Voltage	$V_R$	2	V
Operating Temperature	$T_{case}$	0~+75	$^\circ\text{C}$
Storage Temperature	$T_s$	-40~+85	$^\circ\text{C}$

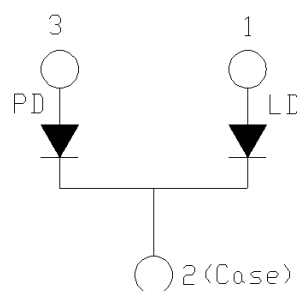
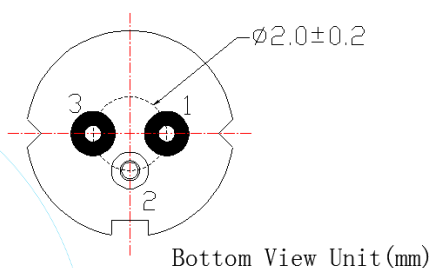
### Electrical and Optical Characteristics at Tc=25°C

Item	Symbols	Min	Typ.	Max.	Unit	Condition
Threshold Current	$I_{th}$	-	26	50	mA	-
Operating Current	$I_{op}$	-	45	60	mA	Po=20mW
Operating Voltage	$V_{op}$	-	5.2	5.6	V	Po=20mW
Peak Wavelength	$\lambda_p$	395	405	415	nm	Po=20mW
Beam Divergence (FWHM)	$\theta_r$	6	8.5	12	deg	Po=20mW
Beam Divergence (FWHM)	$\theta_{\pm}$	16	19	23	deg	Po=20mW

### Package Drawing



### ELECTRICAL CONNECTION



Specifications are subject to change without notice.

