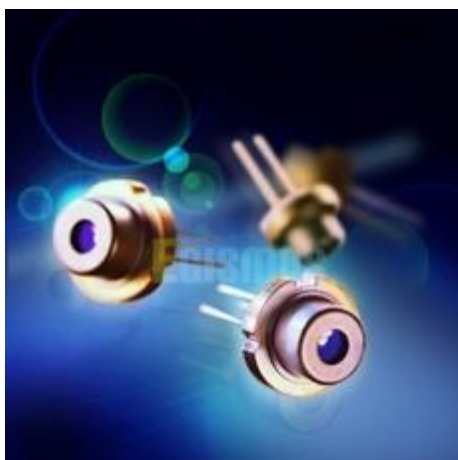


### D6-7-405-300



#### Application

Industrial use  
Biomedical

#### Property

Wavelength  $\lambda = 405 \text{ nm}$   
Output Power = 300 mW  
Package Type =  $\varnothing 5.6\text{mm}$

#### Introduction

Egismos currently markets InGaN-based green laser diodes 515-520nm wavelengths range. The low operating current and high temperature of the laser diodes are achieved through using misoriented substrate and MQW (Strain compensated) active layer. Egismos laser diodes are highly rated in a broad range of applications including, but not limited to, laser pointers, green lasers, blue laser DVD, laser barcode scanners, diode laser equipments, medical instruments and aerospace applications.

### Red Laser Diode Key features

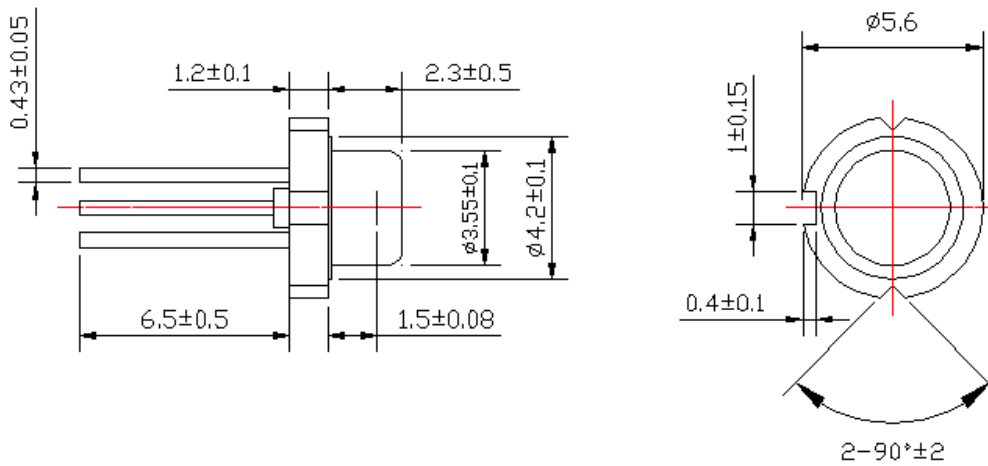
Absolute Maximum Rating at  $T_c=25^\circ\text{C}$

Items	Symbols	Values	Unit
Operating Current power	$P_o$	300	mW
Reverse Voltage	$V_R$	5	V
Operating Temperature	$T_{case}$	0~+70	$^\circ\text{C}$
Storage Temperature	$T_s$	-40~+85	$^\circ\text{C}$

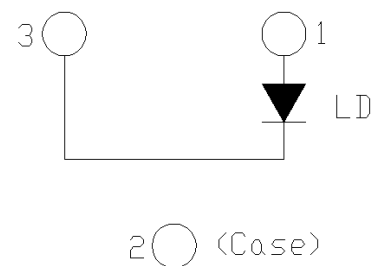
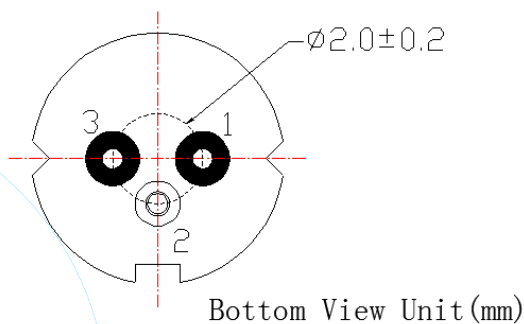
### Electrical and Optical Characteristics at Tc=25°C

Item	Symbols	Min	Typ.	Max.	Unit	Condition
Threshold Current	$I_{th}$	-	30	55	mA	-
Operating Current	$I_{op}$	-	220	240	mA	Po=300mW
Operating Voltage	$V_{op}$	-	5.5	6.5	V	Po=300mW
Peak Wavelength	$\lambda_p$	395	405	415	nm	Po=300mW
Beam Divergence (FWHM)	$\theta_r$	-	10	-	deg	Po=300mW
Beam Divergence (FWHM)	$\theta_{\pm}$	-	24	-	deg	Po=300mW

### Package Drawing



### ELECTRICAL CONNECTION



Specifications are subject to change without notice.

